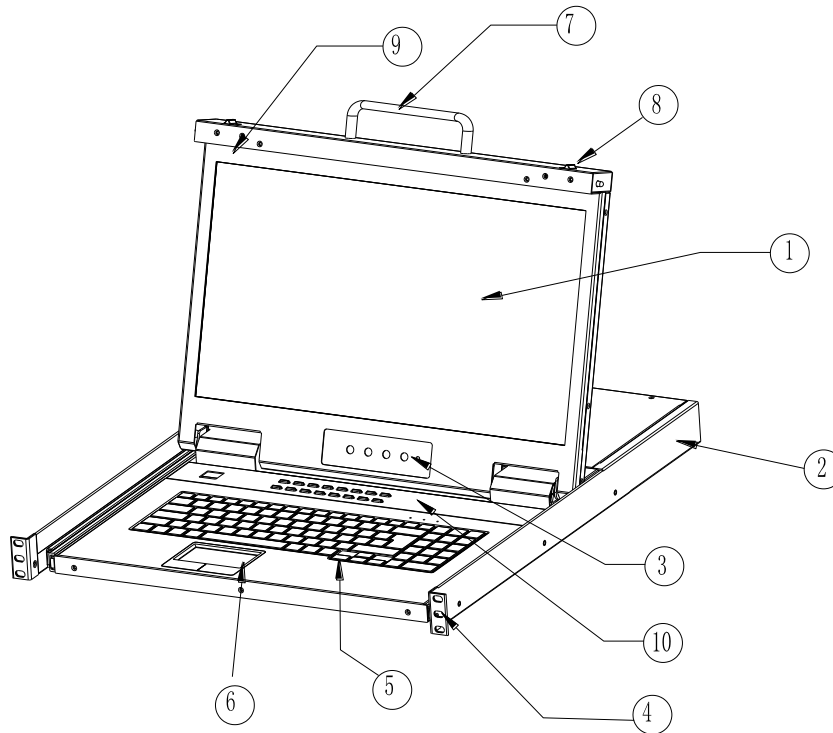


8 / 16 / 32 Port 18.5" FHD Cat5 LCD KVM Switch (DLC-2808 / DLC-2816 / DLC-2832)

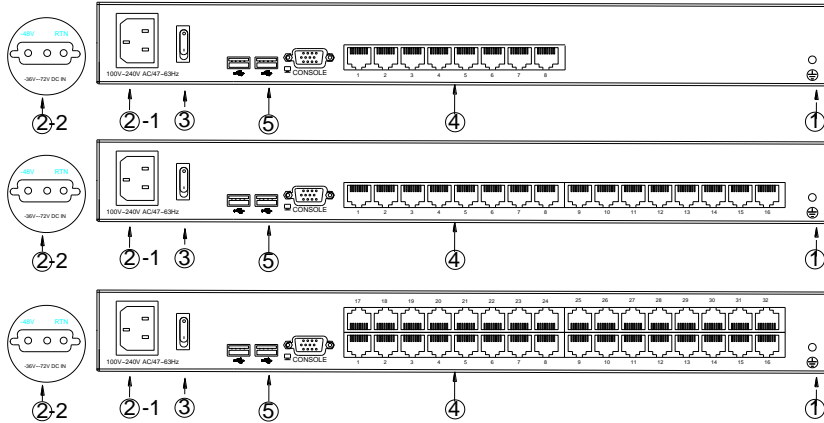
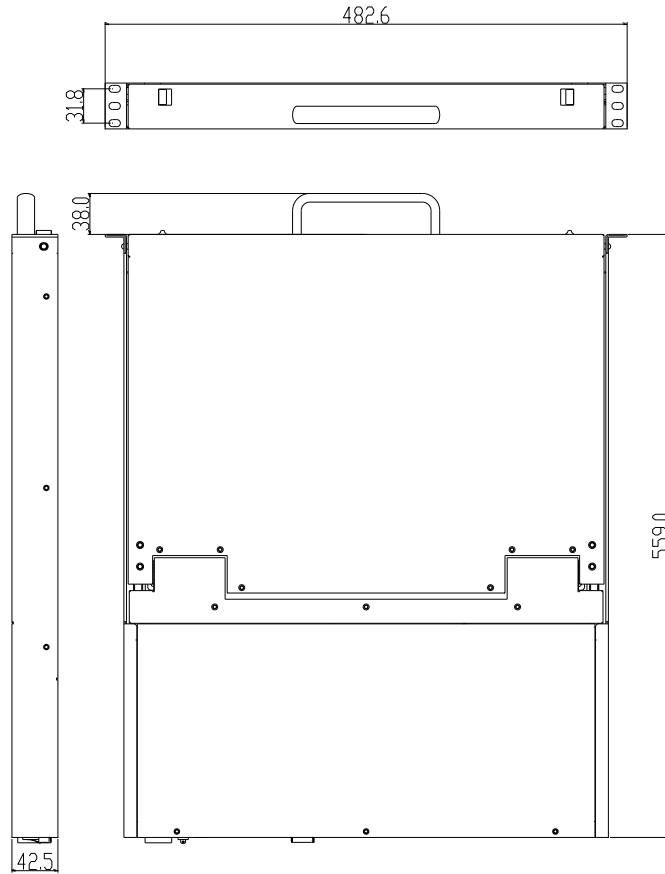


Overview

The 18.5" FHD CAT5 DLC Series KVM switch is a control unit that allows access to multiple computers from an USB KVM console. It allows to access and control up to 8 / 16 / 32 computers from a single console (keyboard, mouse, and monitor). As many as 256 / 512 / 1024 computers can be controlled from a single keyboard-monitor-mouse console by cascading to another 31 additional switches. The KVM switch supports USB connections for the console and computers, RJ-45 connectors and CAT 5e/6 cable are used to link to the computers.



1 LCD Monitor	6 Touchpad
2 Rear Bracket Slot	7 Handle
3 Display Menu Buttons	8 Release Switch
4 Mounting Bracket	9 Display Panel
5 Keyboard	10 Port Selection Buttons



1 Ground Connection Screw	4 PC Port
2 Power input(AC or DC)	5 Console Port
3 Power switch	

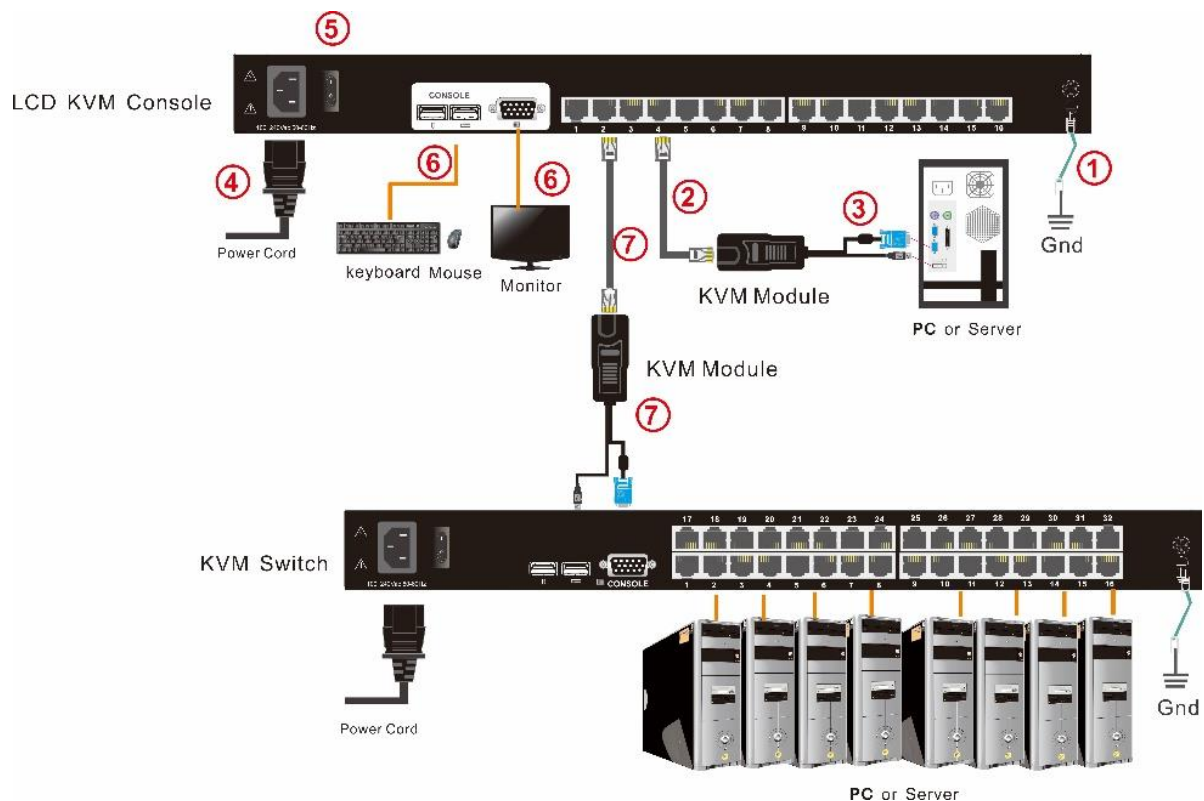
Features

- 18.5" LCD FHD TFT monitor, high brightness, high resolution
- Metal 19" rack with 1U height
- Ultra slim 99 keys keyboard with small numeric keyboard
- High resolution and high flexibility with touchpad; with two function buttons and scroll wheel, standard USB port

Switch Functions

- Access and control up to 8 / 16 / 32 computes from a single USB KVM(keyboard, video and mouse) console
- Extending the transmitting distance between the console and the computer – 1920*1080@60Hz
- Supports Multiple systems: Windows, Linux, Mac and Sun
- Convenient computer switching via front panel pushbuttons, hotkeys, OSD menu or mouse
- Hot pluggable – add or remove computers without having to power down the switch
- Auto scan feature for monitoring user-selected computers
- Broadcast mode – operations simultaneously performed on all selected computers
- Keyboard and mouse emulation function

Connection Diagram



Specifications (18.5" FHD CAT5 LCD KVM Console)

Model		DLC-2808	DLC-2816	DLC-2832
Computer connections	Direct	8	16	32
	Max	256	512	1024
Port emulation	Keyboard, mouse	PS/2, USB		
LCD monitor	LCD model	FHD TFT		
	View area	18.51"		
	Optimum resolution	1920×1080@60Hz		
	Display color	16.7 M		
	Brightness	500cd/m ² (T y p)		
	Contrast ratio	1000 : 1 (T y p)		
	Pixel pitch(mm)	0.213(H) × 0.213(W)		
Mouse	X/Y resolution	>1000 points / inch, (40 points/mm)		
	Touchpad with trackball	Eliminates the need for an external mouse		
Keyboard		99 keys (82 keys main keyboard +17 independent small number pad)		
Port selection		Front panel pushbuttons, hotkeys, OSD menu		
Input power		100V- 240Vac, 50-60Hz, <1.5A		
Power consumption		30W	31W	33W
Operating temperature		0 — 40 °C		
Store temperature		-20 — 60 °C		
Humidity		0~80% RH, non-condensing		
Net weight		11.5kg	11.5 kg	11.7kg
Product dimension (W × D × H)		448mm×560mm×42.5mm		
Package dimension (W × D × H)		765mm×615mm×185mm		
Optional power input		-36V~ -72V DC		